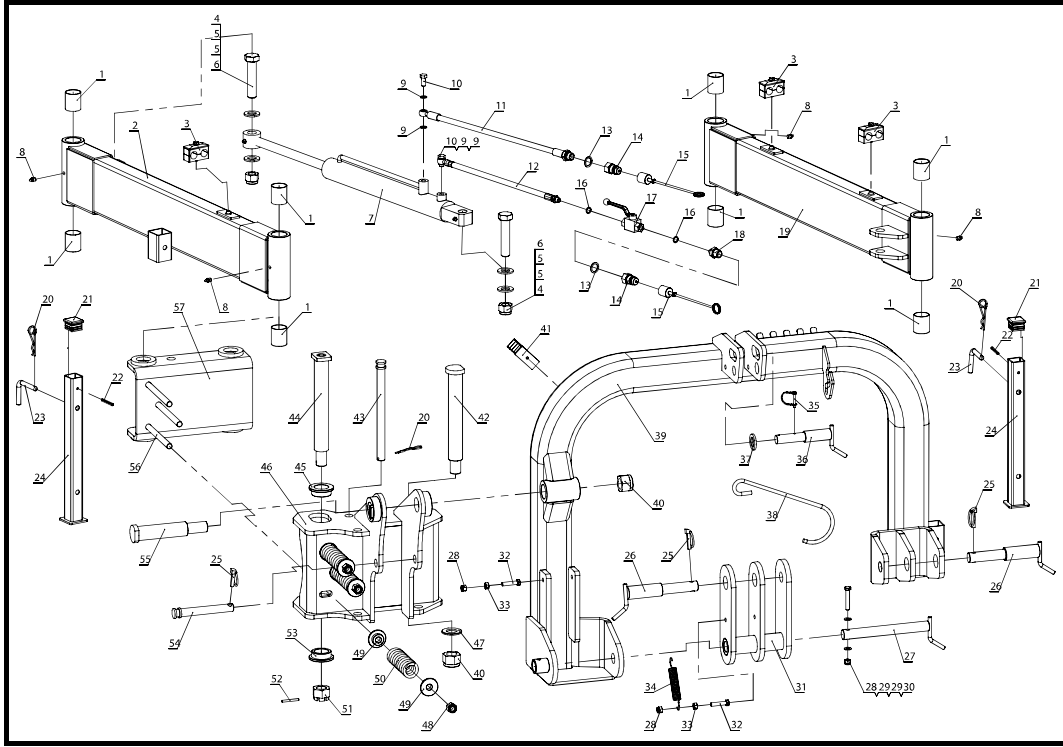


ASSEMBLY DRAWING LIST

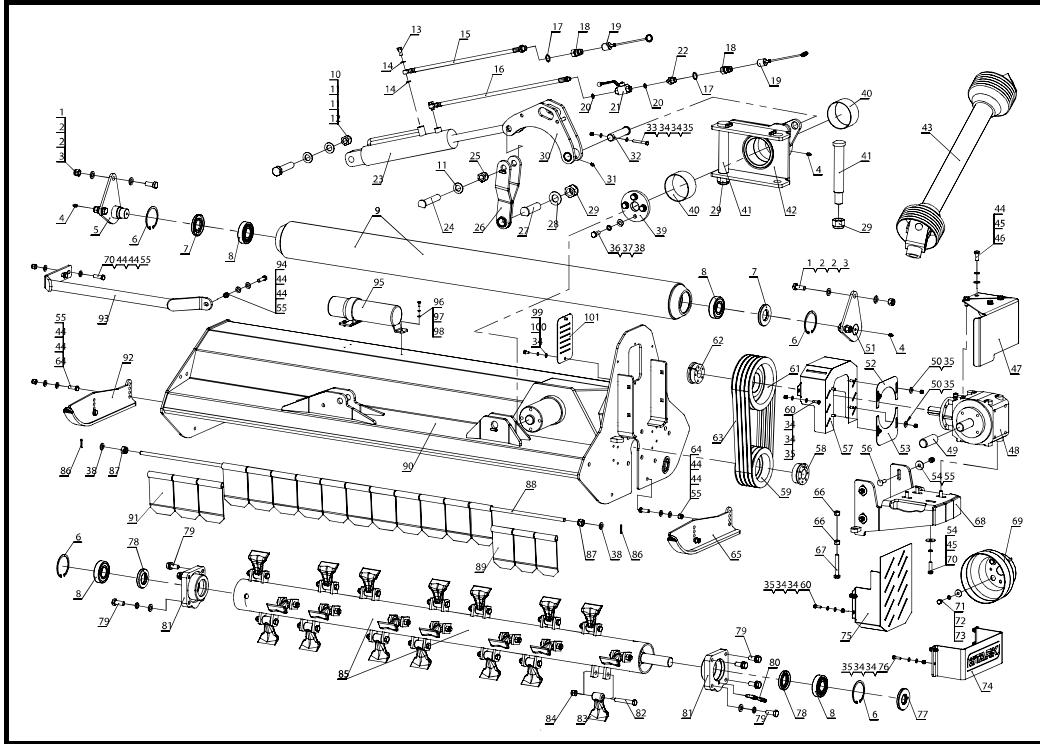


KDL PROFI three-point linkage				
Ser. No	Code	Name & Specification	Quantity	Remarks
1	200023	Self-lubricating bearing 40×44×50	8	KDX180-200, KDL, KDLP, KMH, KMHP, KSHP
2	800027	Right joint square tube weldment	1	KDLP
3	800028	Hose holder	3	KDLP
4	N000036	Lock nut M24	2	KDL, KDLP, KDS
5	W000019	Washer 24	4	KDL, KDLP, KDS
6	B000059	Bolt M24×110	2	KDL, KDLP, KDS
7	500004	Hydraulic cylinder	1	KDL, KDLP
8	600078	Grease Nipples M10	4	KDL, KDLP, KDX, KDXP, KMHP, RS
9	200009	Combination washer 12	4	KDL, KDLP, KDS, KDX, KDXP, KMH, KMHP, RS, KSHP
10	200008	Hollow bolt	2	KDL, KDLP, KDS, KDX, KDXP, KMH, KMHP, KSHP

KDL PROFI three-point linkage				
Ser. No	Code	Name & Specification	Quantity	Remarks
11	500007	Hose 200	1	KDL, KDLP, KDS
12	800029	Hose 200 (Valve)	1	KDLP
13	200006	Combination washer G1/2	2	KDL, KDLP, KDS, KDX, KDXP, KMH, KMHP, KSHP
14	200005	Hose Quick connector G1/2	2	KDL, KDLP, KDS, KDX, KDXP, KMH, KMHP, KSHP
15	200004	Quick change connector cover	2	KDL, KDLP, KDS, KDX, KDXP, KMH, KMHP, KSHP
16	500035	Combination washer G1/4	2	KDL, KDLP
17	500031	High pressure ball valve	1	KDL, KDLP
18	500034	Adapter (G1/2-G1/4)	1	KDL, KDLP
19	800129	Left joint square tube weldment	1	KDLP
20	000063	R pin Ø3.5	3	KDL, KDLP, KDS, KM, KMHP, KS, KSP
21	500018	Support tube plug	2	KDL, KDLP
22	800030	Spring pin Ø6×55	2	KDLP
23	000064	Pin for support foot	2	KDL, KDLP, KDS, KM, KMHP, KS, RS, KSP
24	800031	Support foot	2	KDLP
25	100003	Lock pin	3	KDL, KDLP, KDX, KDXP, KM, KMHP
26	800032	Lower linkage pin	2	KDLP
27	800033	Lower locking pin	1	KDLP
28	N000030	Lock nut M10	3	KDL, KDLP, KDS, KMHP, KDX, KDXP, KS, RS, KSP
29	W000014	Washer 10	2	KDL, KDLP, KDS, KMHP, KDX, KDXP, KS, RS, KSP
30	B100001	Bolt M10×60	1	KDLP
31	800034	Lower locking	1	KDLP
32	B000079	Bolt M10×45	2	KDLP
33	N000001	Nut M10	2	KMHP, KS, KDLP, KSP
34	800035	Linkage tension spring	1	KDLP
35	400034	Lock pin 4.5	1	KDLP, KDX, KDXP
36	800036	Upper linkage pin	1	KDLP
37	800037	Linkage pin washer 24	1	KDLP
38	100002	Hook	1	KDL, KDLP, KDS, KDX, KDXP, KM, KMHP, KSP
39	800038	Linkage	1	KDLP
40	N000040	Lock nut M30×2	2	KDL, KDLP
41	800039	Double hose holder	1	KDLP
42	800040	Connection pipe (Long pin)	1	KDLP
43	800041	Lock pin	1	KDLP
44	800042	Connection pipe (Long pin) moving	1	KDLP
45	800043	Upper sleeve moving pin	1	KDLP
46	800044	Lifting joint welding parts	1	KDLP
47	W000020	Washer 30	1	KDL, KDLP
48	N000033	Lock nut M16	3	KDL, KDLP, KDX, KDXP, KM, KMHP, KSP
49	800045	Moving spring support	6	KDLP
50	800046	Moving spring	3	KDLP

KDL PROFI three-point linkage				
Ser. No	Code	Name & Specification	Quantity	Remarks
51	800047	Slotted nut M30	1	KDLP
52	800048	Spring pin Ø6×50	1	KDLP
53	800049	Lower sleeve moving pin	1	KDLP
54	500027	Protect pin	1	KDL, KDLP
55	500029	Connection pipe (Little pin)	1	KDL, KDLP
56	B000151	Bolt M16×200	3	KDLP
57	800050	U type (lifting joint parts)	1	KDLP

ASSEMBLY DRAWING LIST



KDL PROFI series				
Ser. No	Code	Name & Specification	Quantity	Remarks
1	B000102	Bolt M16×40	4	KDLP, KDXP
2	W000017	Washer 16	8	KDL, KDLP, KDX, KDXP
3	N000033	Lock nut M16	4	KDL, KDLP, KDX, KDXP, KM, KMHP, KSP
4	600078	Grease Nipples M10	4	KDL, KDLP, KDX, KDXP, KMHP, RS
5	700041	Roller connect plate (Right)	1	KDLP, KDXP
6	S000010	Circlip for hole 90	4	KDL, KDLP, KDX, KDXP
7	OS000008	Oil seal 45×90×10	2	KDL, KDLP, KDX, KDXP
8	400063	Bearing 6308-RZ	4	KDL, KDLP, KDX, KDXP
9	500053	Back roller for 160	1	KDL, KDLP
	500054	Back roller for 180	1	KDL, KDLP, KDX, KDXP
	400087	Back roller for 200	1	KDL, KDLP, KDX, KDXP
	400088	Back roller for 220	1	KDL, KDLP, KDX, KDXP

KDL PROFI series				
Ser. No	Code	Name & Specification	Quantity	Remarks
10	B000059	Bolt M24×110	1	KDL, KDLP, KDS
11	W000019	Washer 24	3	KDL, KDLP, KDS
12	N000036	Lock nut M24	1	KDL, KDLP, KDS
13	200008	Hollow bolt	2	KDL, KDLP, KDS, KDX, KDXP, KMH, KMHP, KSHP
14	200009	Combination washer 12	4	KDL, KDLP, KDS, KDX, KDXP, KMH, KMHP, RS, KSHP
15	500032	Hose 3350	1	KDL, KDLP, KDS
16	500033	Hose 3350 mm (Valve)	1	KDL, KDLP
17	200006	Combination washer G1/2	2	KDL, KDLP, KDS, KDX, KDXP, KMH, KMHP, KSHP
18	200005	Hose Quick connector G1/2	2	KDL, KDLP, KDS, KDX, KDXP, KMH, KMHP, KSHP
19	200004	Quick change connector cover	2	KDL, KDLP, KDS, KDX, KDXP, KMH, KMHP, KSHP
20	500035	Combination washer G1/4	2	KDL, KDLP
21	500031	High pressure ball valve	1	KDL, KDLP
22	500034	Adapter (G1/2-G1/4)	1	KDL, KDLP
23	500041	Hydraulic cylinder A	1	KDL, KDLP
24	800003	Connecting bracket (small) pin	1	KDLP
25	N000042	Lock nut M24×2	1	KDLP
26	800004	Connecting bracket (small)	1	KDLP
27	800005	Connecting bracket (normal) pin	1	KDLP
28	W000020	Washer 30	1	KDL, KDLP
29	N000040	Lock nut M30×2	3	KDL, KDLP
30	800006	Connecting bracket (big)	1	KDLP
31	000082	Oil cup M8×1	1	KDLP, KDS, KM, KMHP, KS, KSP
32	500072	Connecting bracket (big) pin	1	KDL, KDLP
33	B000069	Bolt M8×65	1	KDL, KDLP
34	W000021	Washer 8	24	KDL, KDLP, KDS, KM, KMHP, RS
35	N000039	Lock nut M8	15	KDL, KDLP, KDS, KM, KMHP, KS, RS
36	B000096	Bolt M14×35	4	KDL, KDLP
37	W000003	Spring washer 14	4	KDL, KDLP
38	W000016	Washer 14	6	KDL, KDLP, KM, KDX, KDXP, KSP
39	500086	Limit plate	1	KDL, KDLP
40	500078	Self-lubricating bearing 110x115x60	2	KDL, KDLP
41	500014	Connection pipe (Long pin)	2	KDL, KDLP
42	800007	Overturn bracket	1	KDLP
43	500144	PTO Shaft 05B1800	1	KDL, KDLP
44	W000015	Washer 12	18	KDL, KDLP, KDS, KM, KMHP, KDX, KDXP, KS, RS, KSP
45	W000002	Spring washer 12	8	KDL, KDLP, KDS, KM, KMHP, KDX, KDXP, RS
46	B000084	Bolt M12×30	4	KDL, KDLP, KDS, KM, KMHP, KDX, KDXP, RS
47	800008	Gearbox cover	1	KDLP
48	500095	Gearbox	1	KDL, KDLP
49	000030	Gearbox shaft cover	1	KDL, KDLP, KDS, KM, KMHP, KDX, KDXP, KS, KSP

KDL PROFI series				
Ser. No	Code	Name & Specification	Quantity	Remarks
50	W000013	Big washer 8	4	KDL, KDLP, KS, RS, KSP
51	700054	Roller connect plate (Left)	1	KDLP, KDXP
52	800010	Upper (belt guard small plate)	1	KDLP
53	800011	Lower (belt guard small plate)	1	KDLP
54	W000010	Big washer 12	8	KDL, KDLP, KDS, KM, KMHP, KDX, KDXP, KSP
55	N000031	Lock nut M12	11	KDL, KDLP, KDS, KM, KMHP, KDX, KDXP, KS, RS, KSP
56	B000150	Special bolt M12x40	4	KDLP
57	800012	Upper belt cover	1	KDLP
58	400083	Tension 40x80	1	KDL, KDLP, KDX, KDXP
59	400086	Small pulley	1	KDLP, KDX, KDXP
60	B000111	Bolt M8x25	6	KDLP, KS, RS
61	400084	Big pulley	1	KDLP, KDX, KDXP
62	500103	Tension 33x80	1	KDL, KDLP
63	700066	Belt XPB 17x1270	4	KDLP, KDXP
64	B000085	Bolt M12x35	4	KDL, KDLP, KDS, KM, KMHP, KDX, KDXP, KS, RS, KSP
65	400111	Adjust plate (Left)	1	KDL, KDLP, KDX, KDXP, KMHP
66	N000003	Nut M14	4	KDLP
67	B000200	Bolt M14x90	2	KDLP
68	800013	Bracket for gearbox	1	KDLP
69	000024	PTO protection	1	KDL, KDLP, KDS, KM, KMHP, KDX, KDXP, KSP
70	B000086	Bolt M12x40	6	KDLP, KDS, KM, KMHP, RS, KSP
71	B000073	Bolt M10x16	4	KDL, KDLP, KDS, KM, KMHP, KDX, KDXP
72	W000001	Spring washer 10	4	KDL, KDLP, KDS, KM, KMHP, KDX, KDXP, KS, RS, KSP
73	W000009	Big washer 10	4	KDL, KDLP, KDS, KM, KMHP, KDX, KDXP, KS, KSP
74	800014	Belt guard shield	1	KDLP
75	800015	Lower belt cover	1	KDLP
76	B000113	Bolt M8x30	4	KDLP, KSP
77	OS000010	Oil seal 40x90x10	1	KDL, KDLP, KDX, KDXP
78	OS000009	Oil seal 45x80x10	2	KDL, KDLP, KDX, KDXP
79	400101	Combination bolt M16x40	8	KDL, KDLP, KDX, KDXP
80	800016	Grease assemble	1	KDLP
81	400103	Bearing block	2	KDL, KDLP, KDX, KDXP
82	B000039	Bolt M14x90 (10.9)	n	KDL, KDLP, KDX, KDXP
83	400108	Hammer (14 mm Hole)	n	KDL, KDLP, KDX, KDXP
84	N000032	Lock nut M14	n	KDL, KDLP, KM, KDX, KDXP, KS, KSP
85	800017	Main roller for 160	1	KDLP
	410000	Main roller for 180	1	KDLP, KDX, KDXP
	400104	Main roller for 200	1	KDLP, KDX, KDXP
	400105	Main roller for 220	1	KDLP, KDX, KDXP
86	P000005	Cotter pin Ø4x25	2	KDL, KDLP, KDS, KM, KMHP, KDX, KDXP, KS, RS, KSP

KDL PROFI series				
Ser. No	Code	Name & Specification	Quantity	Remarks
87	N000034	Lock nut M18	2	KDL, KDLP, KDX, KDXP
88	500109	Baffle shaft for 160	1	KDL, KDLP
	500110	Baffle shaft for 180	1	KDL, KDLP, KDX, KDXP
	400096	Baffle shaft for 200	1	KDL, KDLP, KDX, KDXP
	400097	Baffle shaft for 220	1	KDL, KDLP, KDX, KDXP
89	700108	Small baffle	N	KDLP, KDXP
90	800018	Main body for 160	1	KDLP
	800019	Main body for 180	1	KDLP
	800020	Main body for 200	1	KDLP
	800021	Main body for 220	1	KDLP
91	700099	Big baffle	N	KDLP, KDXP
92	400094	Adjust plate (Right)	1	KDL, KDLP, KDX, KDXP, KMHP
93	800022	Protective for 160	1	KDLP
	800023	Protective for 180	1	KDLP
	800024	Protective for 200	1	KDLP
	800025	Protective for 220	1	KDLP
94	B000088	Bolt M12×45	1	KDLP, RS
95	000029	Instructions box	1	KDLP, KDXP
96	W000025	Washer 6	3	KDLP, KDXP, KS, KSP
97	W000024	Spring washer 6	3	KDLP, KDXP, KS
98	B000143	Cross pan head screws M6×16	3	KDLP, KDXP, KS
99	B000109	Bolt M8×16	2	KDL, KDLP, KMHP, KS, KSP
100	W000008	Spring washer 8	2	KDL, KDLP, KMHP, KS, RS, KSP
101	800026	Grid plate	1	KDLP